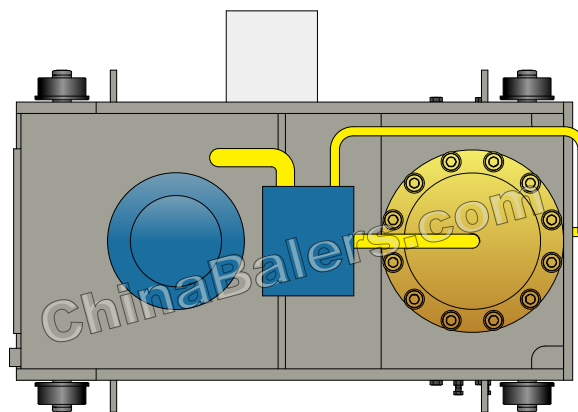
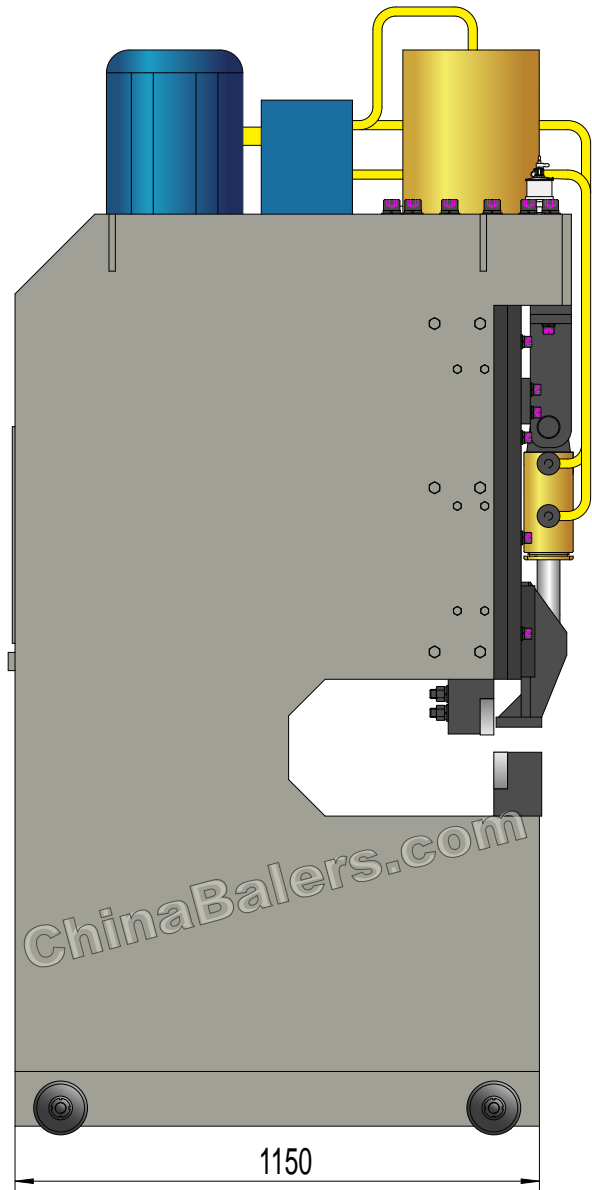
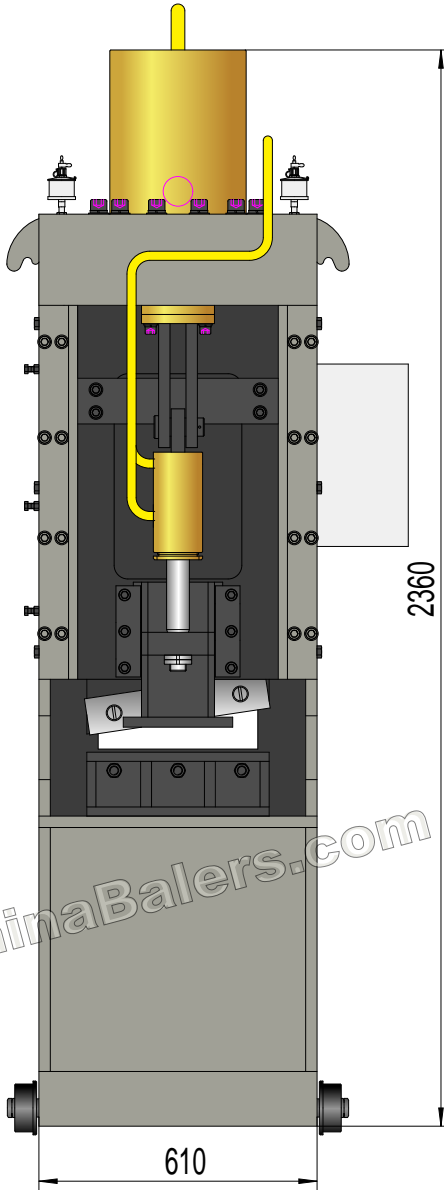
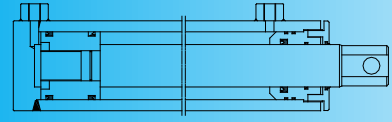


**ChinaBalers**

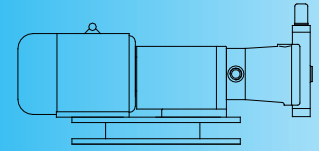
## YZJ Crosscut Shear



# YZJ-1200



# YZJ-1200



## Hydraulic Shear (Crosscut Type)

Model: YZJ-1200

### Power System (Motor)

Type: Y160M-4  
Rated Power: 11 kW  
Rated Speed: 1460 rpm  
Power Spec: 3PH, 50 / 60Hz

### Hydraulic System (Pump)

Type: 40YCY14-1B  
Rated Displacement: 40 ml/r  
Max Operating Pressure: 31.5 MPa

### Standard Configurations

NOK (JAPAN) Seals for Cylinders;  
Hydraulic Oil Cooler; Magnetic Oil Filter.

### System Parameters

Max. Cutting Force: 120 Ton  
Max. Pressing Force: 10 Ton  
Hydraulic System Pressure: 25 MPa  
Cutting Speed: 7-15 times/min

### Max. Cutting Size

Square Billet: 35×35 mm  
Round Steel Bar: φ40 mm  
Steel Plate: 18×360

### Operation System

Hydro-electrical Valves, Push Button Control.

### General Description

Main Machine Size (L×W×H): 1150×610×2360 mm  
Height of Working Table: 700 mm  
Blade Length: 400 mm  
Max. Cutting Stroke: 100 mm  
Max. Perssing Stroke: 50 mm  
Shipping Weight:  
Loading (Standard Containers):

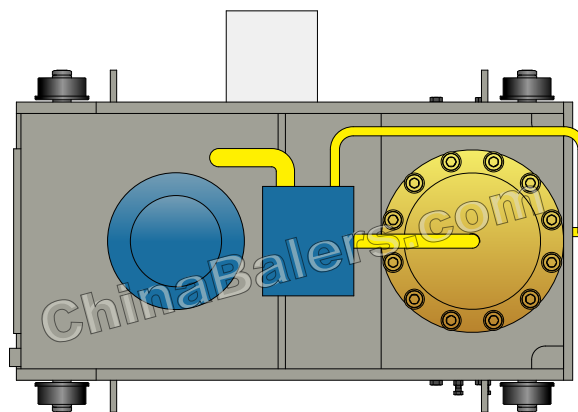
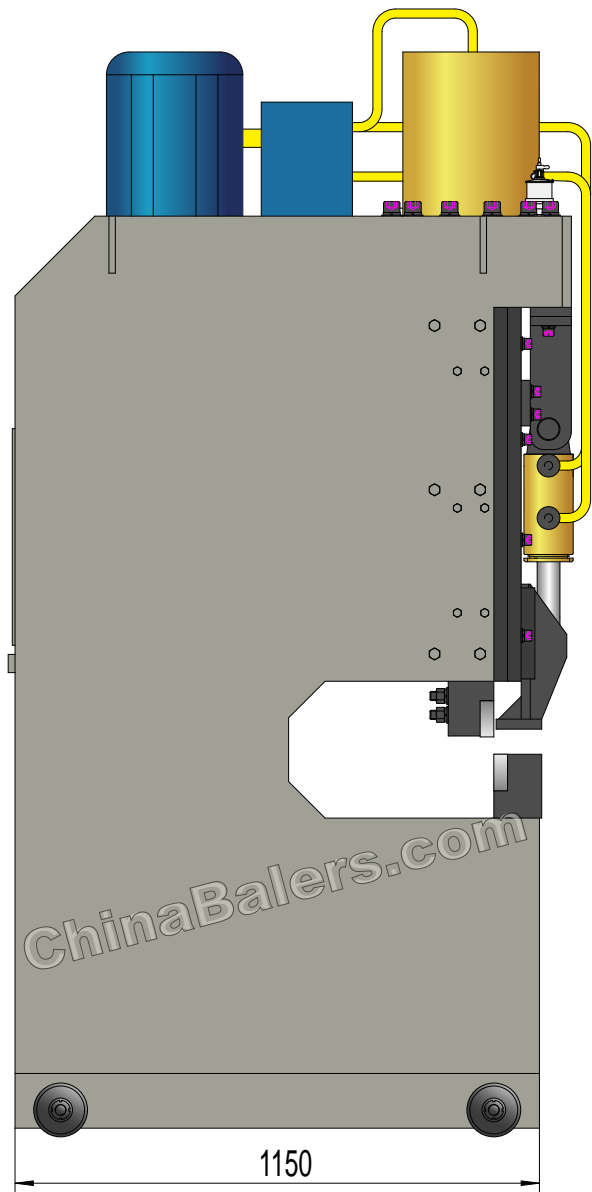
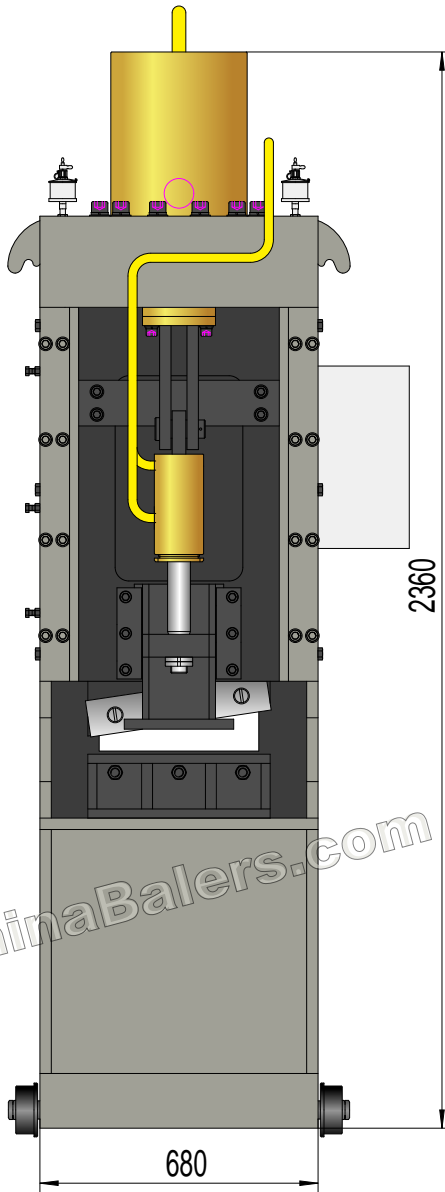
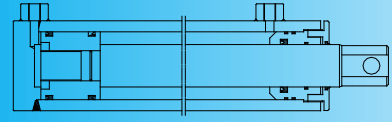
### Hydraulic Oil Brand

Oil Tank Volume: ltr

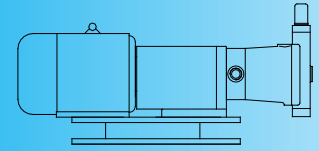
ISO VG	China	U.S.		Britain	France
	GB11118.1	CALTEX CO.	MOBIL	SHELL	ELF CO.
HM 46	46 #	Rando HD46	D.T.E46	Tellus 46	Elfolna 46
HM 68	68 #	Rando HD68	D.T.E68	Tellus 68	Elfolna 68

Above information are indicative not engaging. Rights reserved for change if necessary.

# YZJ-2500



# YZJ-2500



## Hydraulic Shear (Crosscut Type)

Model: YZJ-2500

### Power System (Motor)

Type: Y160L-4  
 Rated Power: 15 kW  
 Rated Speed: 1460 rpm  
 Power Spec: 3PH, 50 / 60Hz

### Hydraulic System (Pump)

Type: 63YCY14-1B  
 Rated Displacement: 63 ml/r  
 Max Operating Pressure: 31.5 MPa

### Standard Configurations

NOK (JAPAN) Seals for Cylinders;  
 Hydraulic Oil Cooler; Magnetic Oil Filter.

### System Parameters

Max. Cutting Force: 250 Ton  
 Max. Pressing Force: 10 Ton  
 Hydraulic System Pressure: 21 MPa  
 Cutting Speed: 7-15 times/min

### Max. Cutting Size

Square Billet: 60×60 mm  
 Round Steel Bar: φ63 mm  
 Steel Plate: 30×360

### Operation System

Hydro-electrical Valves, Push Button Control.

### General Description

Main Machine Size (L×W×H): 1150×680×2360 mm  
 Height of Working Table: 700 mm  
 Blade Length: 400 mm  
 Max. Cutting Stroke: 100 mm  
 Max. Perssing Stroke: 50 mm  
 Shipping Weight:  
 Loading (Standard Containers):

### Hydraulic Oil Brand

Oil Tank Volume: ltr

ISO VG	China	U.S.		Britain	France
	GB11118.1	CALTEX CO.	MOBIL	SHELL	ELF CO.
HM 46	46 #	Rando HD46	D.T.E46	Tellus 46	Elfolna 46
HM 68	68 #	Rando HD68	D.T.E68	Tellus 68	Elfolna 68

Above information are indicative not engaging. Rights reserved for change if necessary.





**Soochow Baling Machinery Ltd.  
Jiangsu Huahong Technology Stock Co., Ltd.**

**Factory:** Zhouzhuang, Jiangyin, Jiangsu

**Office:** Rm 1202, SIPCTD Bldg, No. 381 Suzhou Avenue East,  
Suzhou Industrial Park, Suzhou, Jiangsu 215028 China

**Tel:** +86 512 6255 1141 **Fax:** +86 512 6255 1142

**Email:** [info@chinabalers.com](mailto:info@chinabalers.com); [chinabalers@foxmail.com](mailto:chinabalers@foxmail.com)

**Website:** [www.chinabalers.com](http://www.chinabalers.com); [www.chinabalers.net](http://www.chinabalers.net)