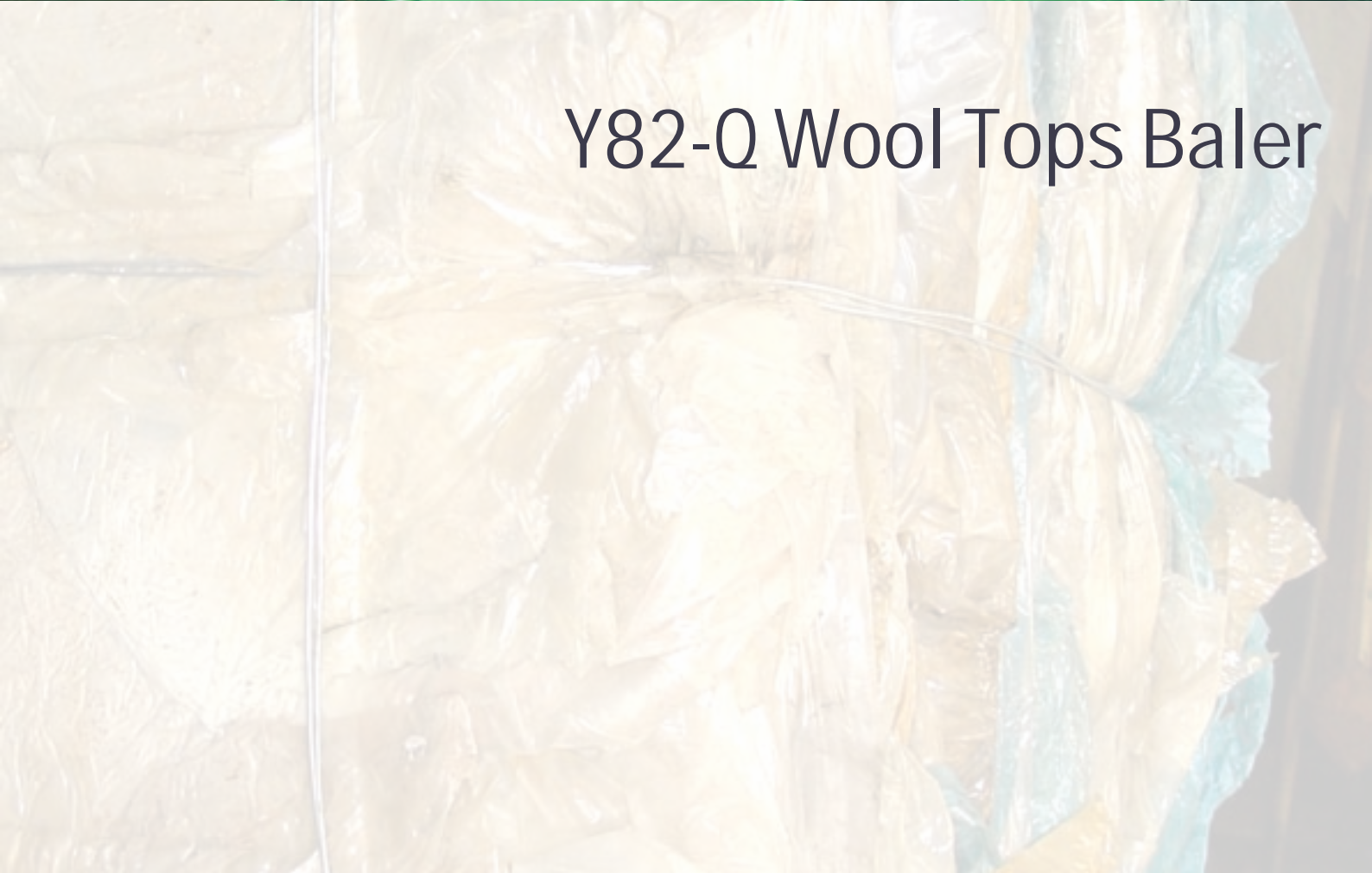


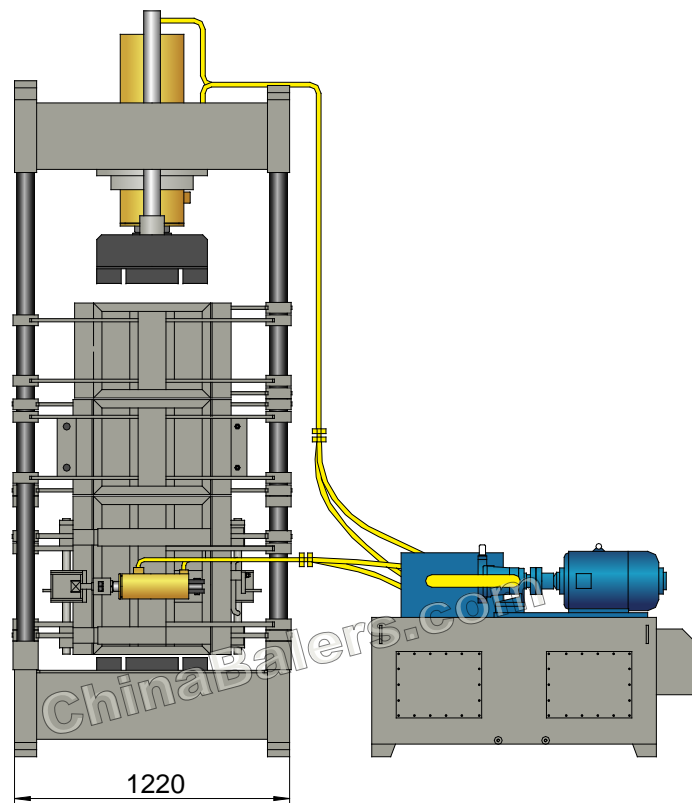
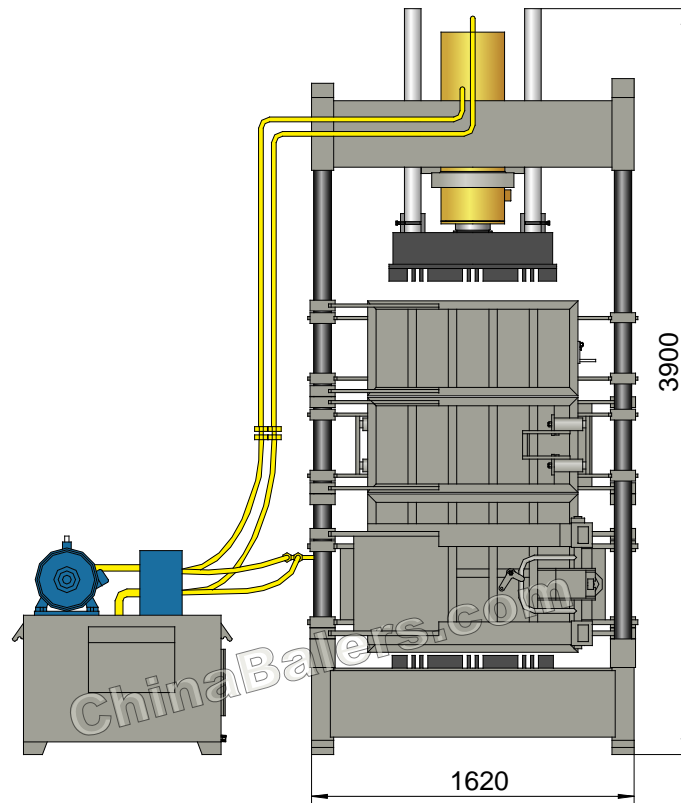
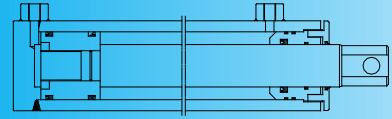
ChinaBalers



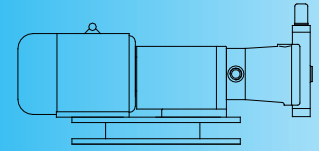
Y82-Q Wool Tops Baler



Y82-25Q



Y82-25Q



Wool Tops Baler

Model: Y82-25Q

Power System (Motor)

Type:	Y180L-6
Rated Power:	15 kW
Rated Speed:	970 rpm
Power Spec:	3PH, 50/60 Hz

System Parameters

Main Pressure Cyl. Force:	25 Ton
Hydraulic System Pressure:	12.5 MPa

Hydraulic System (Pump)

Type:	63YCY14-1B
Rated Displacement:	63 ml/r
Max Operating Pressure:	31.5 MPa

Standard Configuration

NOK (JAPAN) Seal Packings for Cylinders.

Operation System

Manual Valve Operation

General Description

Main Machine Size (L×W×H):	1620×1220×3900 mm
Press Box Size (L×W×H):	1080×740×1500 mm
Space Between Ram & Bottom:	Max. 1600 mm; Min. 400 mm
Bale Size (L×W):	1080×740 mm
Wool Tops Nos. Per Bale:	18 or 24
Production Rate (Wool Tops):	6-8 bales/hr
Strapping:	5 Steel Strips, 2-way, Manual Strapping.
Bale Discharging:	Manual Discharging
Shipping Weight:	Approx. 2.8 tons
Loading (Standard Containers):	1×20'GP

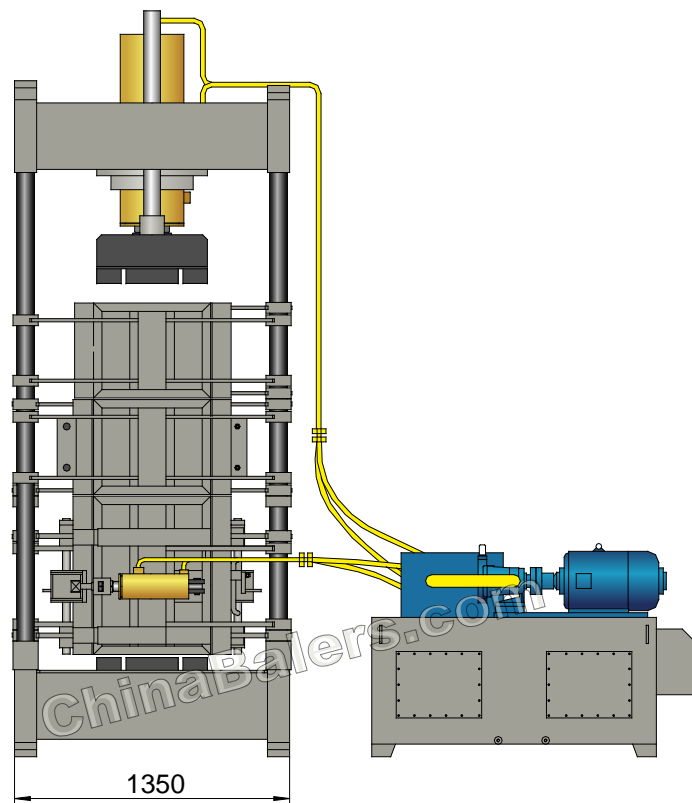
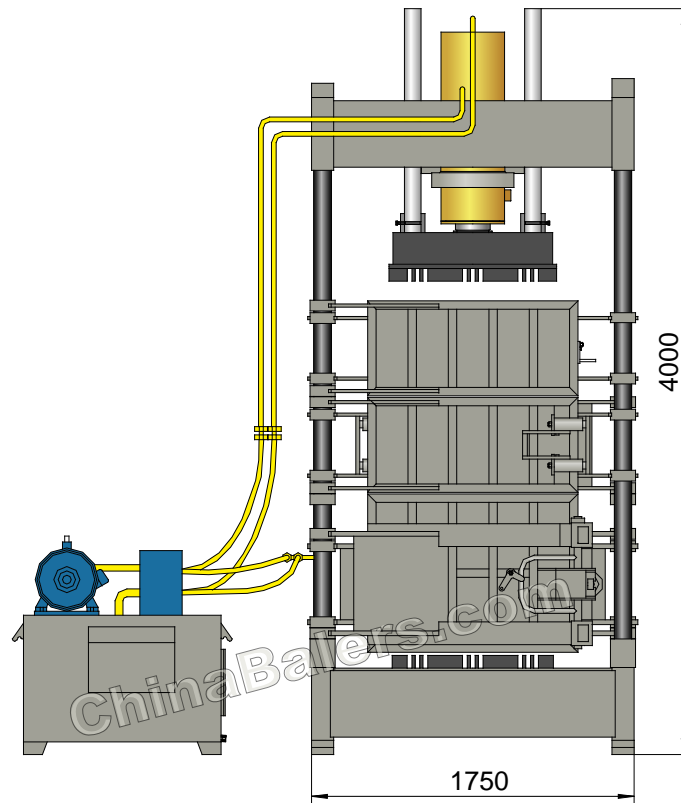
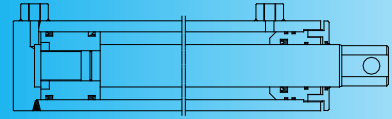
Hydraulic Oil Brand

Oil Tank Volume: 320 ltr

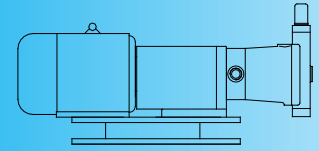
ISO VG	China	U.S.		Britain	France
	GB11118.1	CALTEX CO.	MOBIL	SHELL	ELF CO.
HM 46	46 #	Rando HD46	D.T.E46	Tellus 46	Elfolna 46
HM 68	68 #	Rando HD68	D.T.E68	Tellus 68	Elfolna 68

Above information are indicative not engaging. Rights reserved for change if necessary.

Y82-63Q



Y82-63Q



Wool Tops Baler

Model: Y82-63Q

Power System (Motor)

Type: Y180L-6
 Rated Power: 15 kW
 Rated Speed: 970 rpm
 Power Spec: 3PH, 50 / 60Hz

System Parameters

Main Pressure Cyl. Force: 63 Ton
 Hydraulic System Pressure: 20 MPa

Hydraulic System (Pump)

Type: 63YCY14-1B
 Rated Displacement: 63 ml/r
 Max Operating Pressure: 31.5 MPa

Standard Configuration

NOK (JAPAN) Seal Packings for Cylinders.

Operation System

Manual Valve Operation

General Description

Main Machine Size (L×W×H): 1750×1350×4000 mm
 Press Box Size (L×W×H): 1080×740×1500 mm
 Space Between Ram & Bottom: Max. 1600 mm; Min. 400 mm
 Bale Size (L×W): 1080×740 mm
 Wool Tops Nos. Per Bale: 18 or 24
 Production Rate (Wool Tops): 6-8 bales/hr
 Strapping: 5 Steel Strips, 2-way, Manual Strapping.
 Bale Discharging: Manual Discharging
 Shipping Weight: Approx. 4.2 tons
 Loading (Standard Containers): 1×20'GP

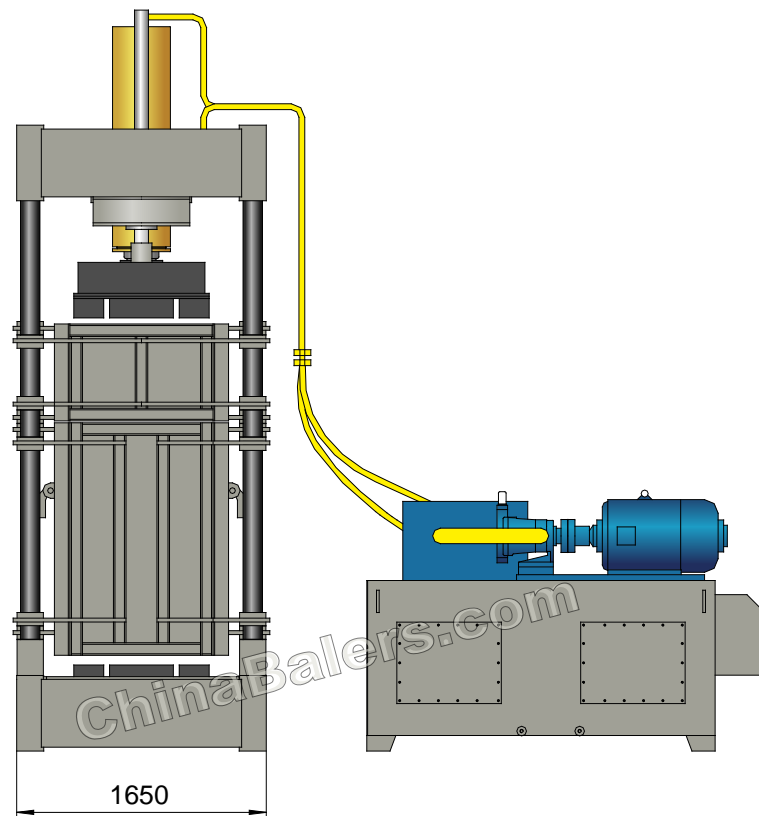
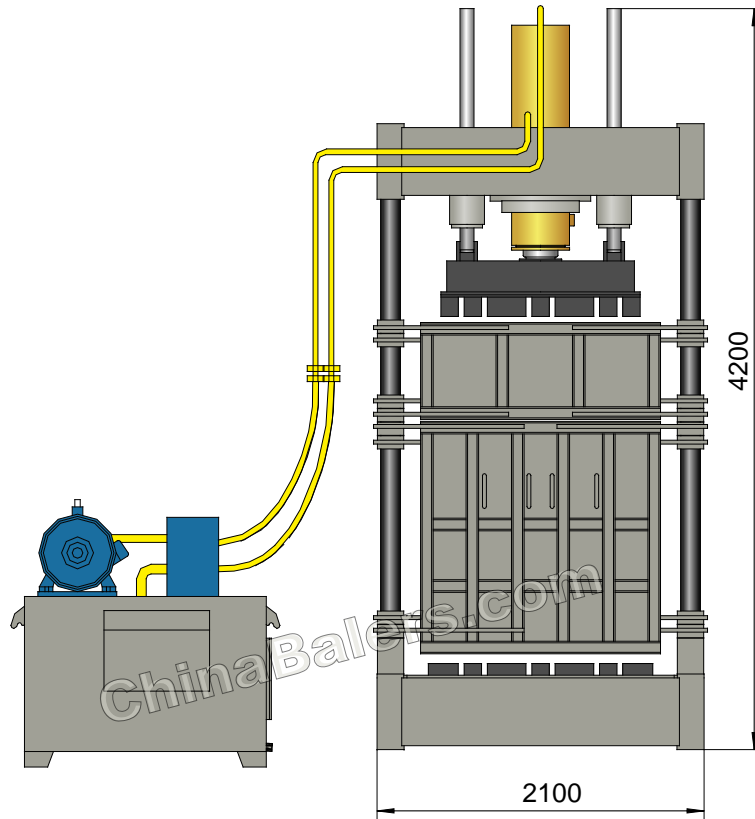
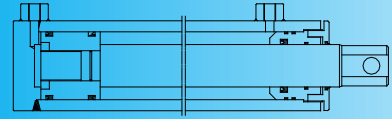
Hydraulic Oil Brand

Oil Tank Volume: 320 ltr

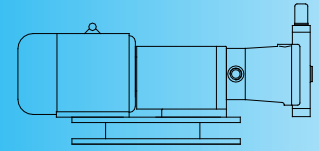
ISO VG	China	U.S.		Britain	France
	GB11118.1	CALTEX CO.	MOBIL	SHELL	ELF CO.
HM 46	46 #	Rando HD46	D.T.E46	Tellus 46	Elfolna 46
HM 68	68 #	Rando HD68	D.T.E68	Tellus 68	Elfolna 68

Above information are indicative not engaging. Rights reserved for change if necessary.

YE82-100Q



YE82-100Q



Wool Tops Baler

Model: YE82-100Q

Power System (Motor)

Type:	Y180L-6
Rated Power:	15 kW
Rated Speed:	970 rpm
Power Spec:	3PH, 50 / 60Hz

System Parameters

Main Pressure Cyl. Force:	100 Ton
Locking Cyl. Force:	2×25 Ton
Hydraulic System Pressure:	25 MPa

Hydraulic System (Pump)

Type:	63YCY14-1B
Rated Displacement:	63 ml/r
Max Operating Pressure:	31.5 MPa

Standard Configuration

NOK (JAPAN) Seal Packings for Cylinders.

Operation System

Manual Valve Operation

General Description

Main Machine Size (L×W×H):	2100×1650×4200 mm
Press Box Size (L×W×H):	1100×700×1500 mm
Space Between Ram & Bottom:	Max. 1600 mm; Min. 400 mm
Bale Size (L×W):	1100×700 mm
Wool Tops Nos. Per Bale:	18 or 24
Production Rate (Wool Tops):	6-8 bales/hr
Strapping:	5 Steel Strips, 2-way, Manual Strapping.
Bale Discharging:	Manual Discharging
Shipping Weight:	Approx. 5.5 tons
Loading (Standard Containers):	1×20'GP

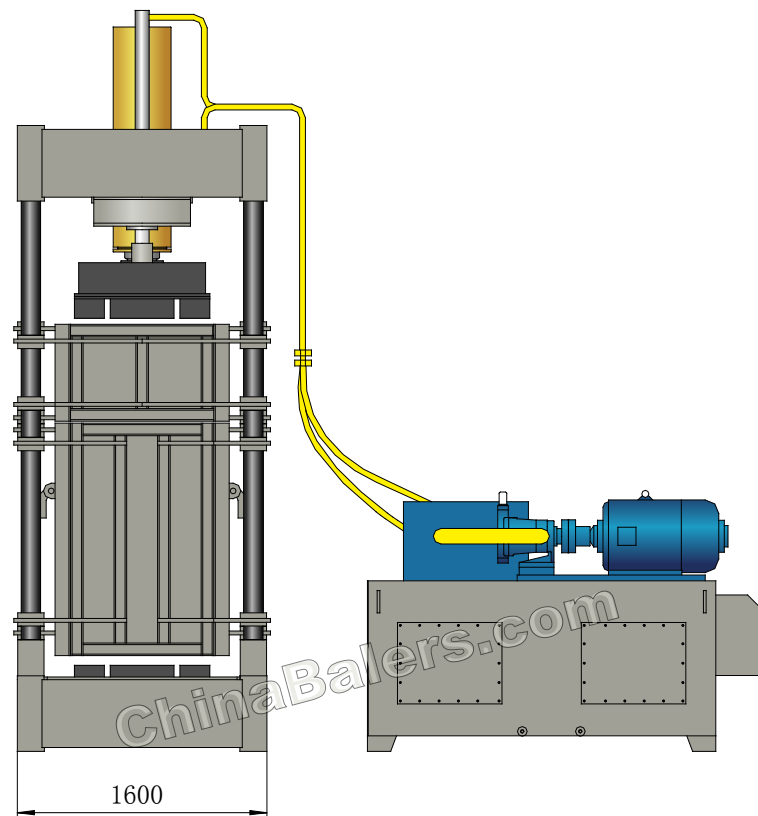
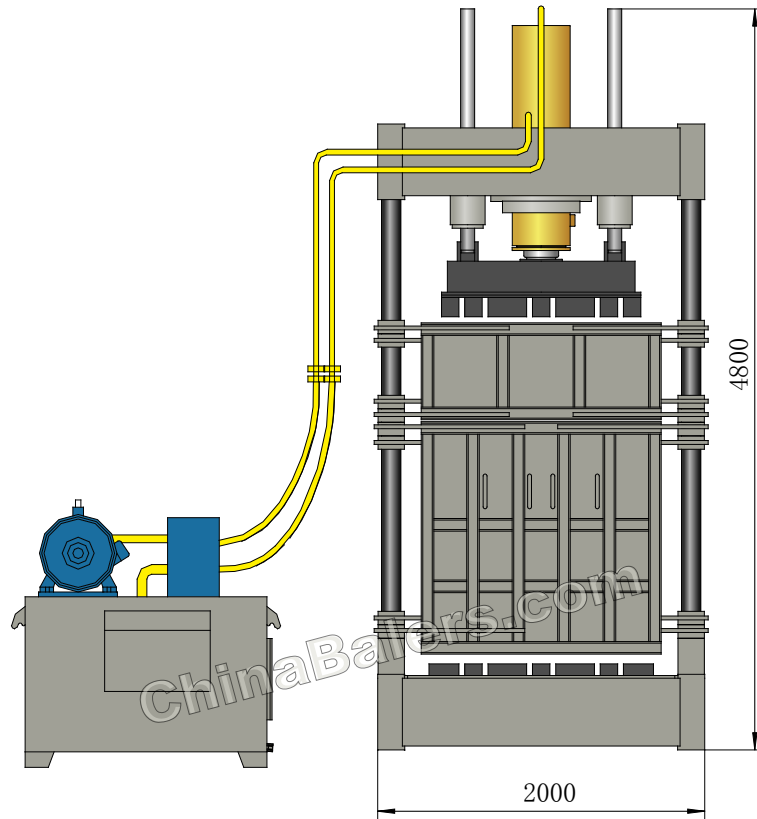
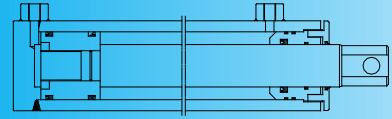
Hydraulic Oil Brand

Oil Tank Volume: 320 ltr

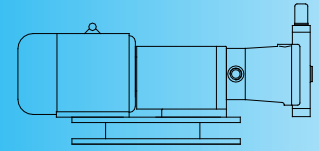
ISO VG	China	U.S.		Britain	France
	GB11118.1	CALTEX CO.	MOBIL	SHELL	ELF CO.
HM 46	46 #	Rando HD46	D.T.E46	Tellus 46	Elfolna 46
HM 68	68 #	Rando HD68	D.T.E68	Tellus 68	Elfolna 68

Above information are indicative not engaging. Rights reserved for change if necessary.

YE82-120Q



YE82-120Q



Wool Tops Baler

Model: YE82-120Q

Power System (Motor)

Type:	Y180M-4
Rated Power:	18.5 kW
Rated Speed:	1470 rpm
Power Spec:	3PH, 50 / 60Hz

System Parameters

Main Pressure Cyl. Force:	120 Ton
Locking Cyl. Force:	2×25 Ton
Hydraulic System Pressure:	25 MPa

Hydraulic System (Pump)

Type:	80YCY14-1B
Rated Displacement:	80 ml/r
Max Operating Pressure:	31.5 MPa

Standard Configuration

NOK (JAPAN) Seal Packings for Cylinders.

Operation System

Manual Valve Operation

General Description

Main Machine Size (L×W×H):	2000×1600×4800 mm
Press Box Size (L×W×H):	1120×740×1700 mm
Space Between Ram & Bottom:	Max. 1800 mm; Min. 400 mm
Bale Size (L×W):	1120×740 mm
Wool Tops Nos. Per Bale:	24 or 36
Production Rate (Wool Tops):	6-8 bales/hr
Strapping:	5 Steel Strips, 2-way, Manual Strapping.
Bale Discharging:	Manual Discharging
Shipping Weight:	Approx. 7.2 tons
Loading (Standard Containers):	1×20'GP

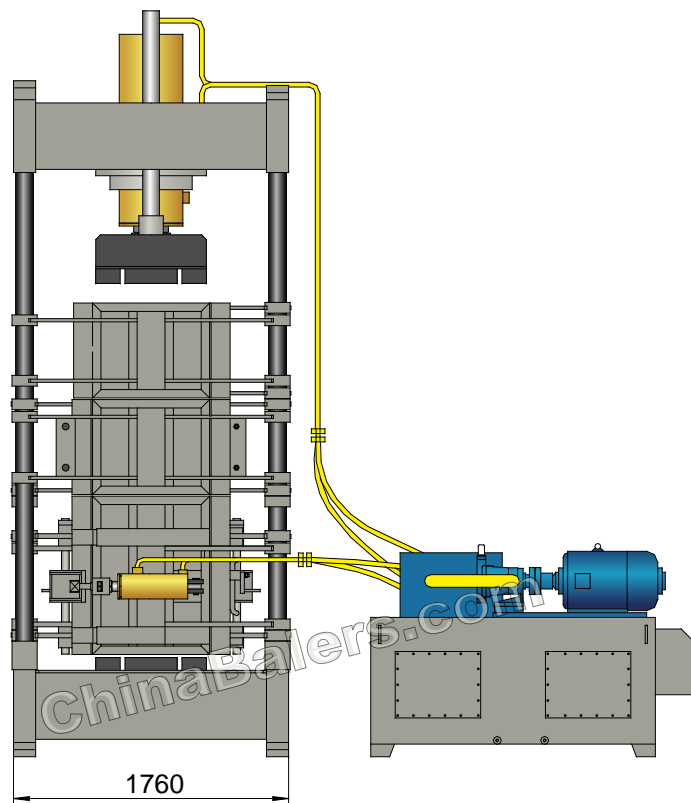
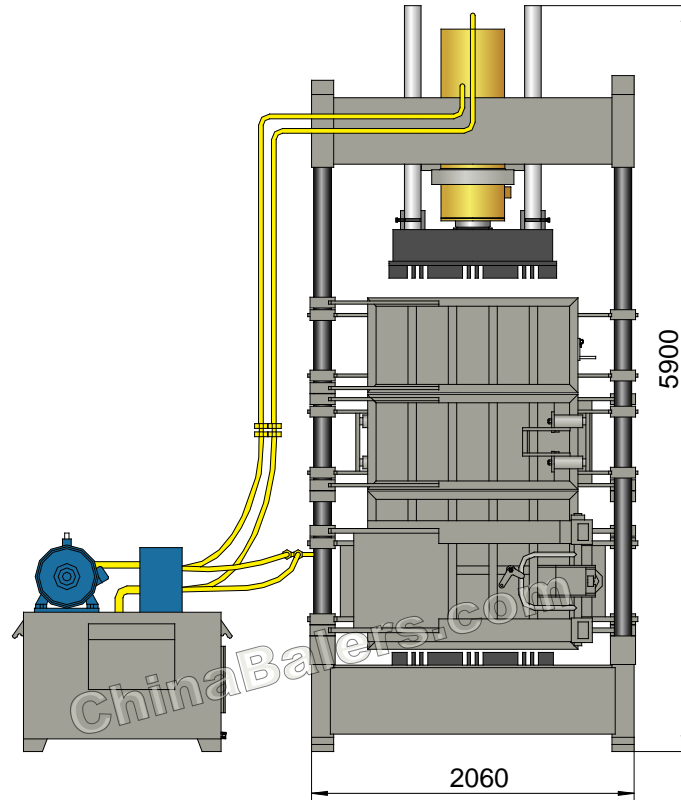
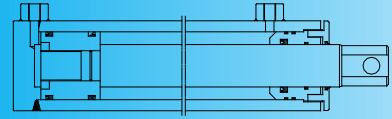
Hydraulic Oil Brand

Oil Tank Volume: 480 ltr

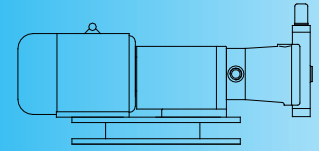
ISO VG	China	U.S.		Britain	France
	GB11118.1	CALTEX CO.	MOBIL	SHELL	ELF CO.
HM 46	46 #	Rando HD46	D.T.E46	Tellus 46	Elfolna 46
HM 68	68 #	Rando HD68	D.T.E68	Tellus 68	Elfolna 68

Above information are indicative not engaging. Rights reserved for change if necessary.

Y82-160Q



Y82-160Q



Wool Tops Baler

Model: Y82-160Q

Power System (Motor)

Type:	Y200L2-6
Rated Power:	22 kW
Rated Speed:	970 rpm
Power Spec:	3PH, 50 / 60Hz

System Parameters

Main Pressure Cyl. Force:	160 Ton
Locking Cyl. Force:	2×30 Ton
Hydraulic System Pressure:	25 MPa

Hydraulic System (Pump)

Type:	160YCY14-1B
Rated Displacement:	160 ml/r
Max Operating Pressure:	31.5 MPa

Standard Configuration

NOK (JAPAN) Seal Packings for Cylinders.

Operation System

Manual Valve Operation

General Description

Main Machine Size (L×W×H):	2060×1760×5900 mm
Press Box Size (L×W×H):	1080×740×2250 mm
Space Between Ram & Bottom:	Max. 2400 mm; Min. 500 mm
Bale Size (L×W):	1080×740 mm
Wool Tops Nos. Per Bale:	36 or 48
Production Rate (Wool Tops):	6-8 bales/hr
Strapping:	5 Steel Strips, 2-way, Manual Strapping.
Bale Discharging:	Manual Discharging
Shipping Weight:	Approx. 10.5 tons
Loading (Standard Containers):	1×40'GP

Hydraulic Oil Brand

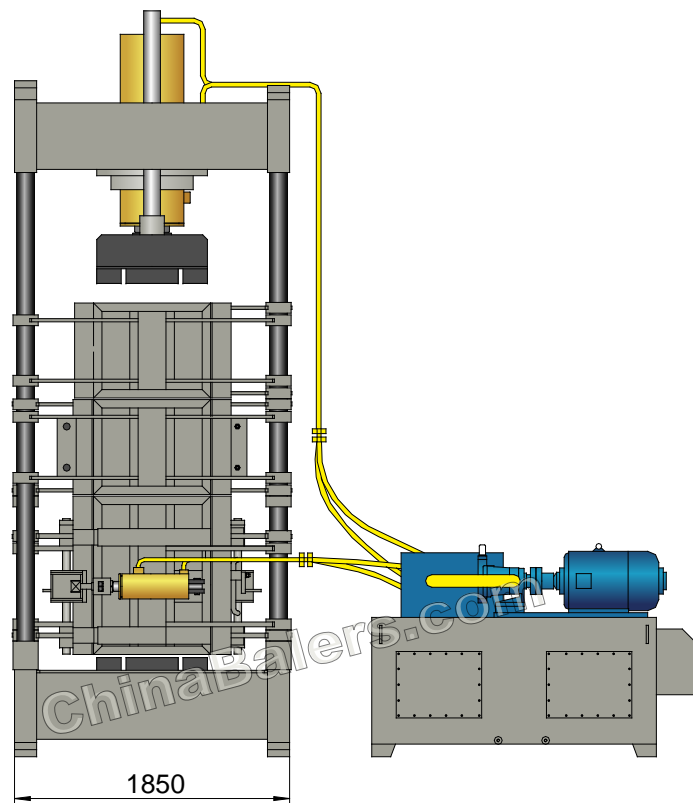
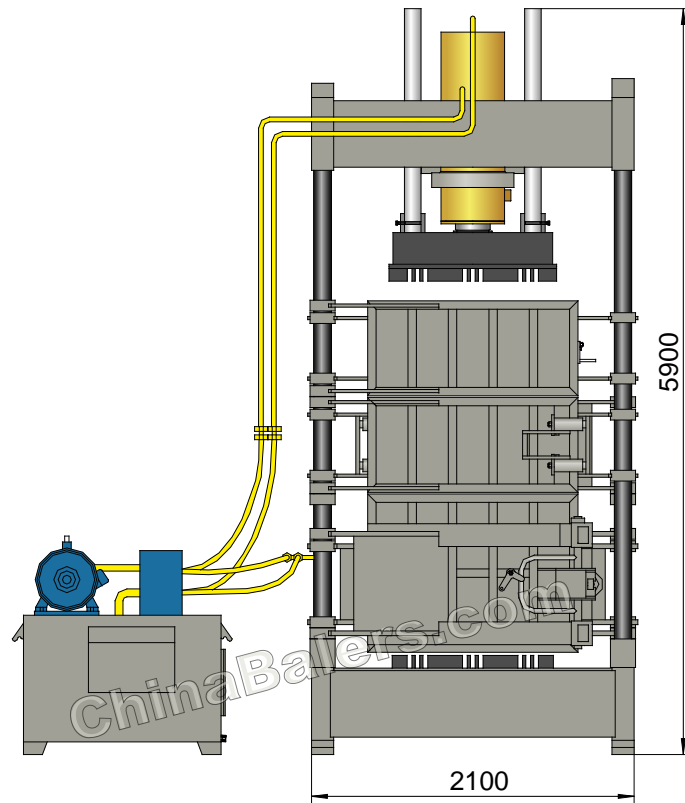
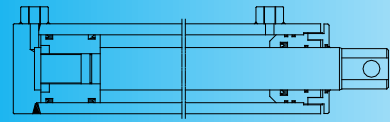
Oil Tank Volume:

960 ltr

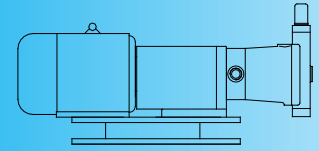
ISO VG	China	U.S.		Britain	France
	GB11118.1	CALTEX CO.	MOBIL	SHELL	ELF CO.
HM 46	46 #	Rando HD46	D.T.E46	Tellus 46	Elfolna 46
HM 68	68 #	Rando HD68	D.T.E68	Tellus 68	Elfolna 68

Above information are indicative not engaging. Rights reserved for change if necessary.

Y82-200Q



Y82-200Q



Wool Tops Baler

Model: Y82-200Q

Power System (Motor)

Type:	Y225M-6
Rated Power:	30 kW
Rated Speed:	980 rpm
Power Spec:	3PH, 50 / 60Hz

System Parameters

Main Pressure Cyl. Force:	200 Ton
Locking Cyl. Force:	2×30 Ton
Hydraulic System Pressure:	25 MPa

Hydraulic System (Pump)

Type:	160YCY14-1B
Rated Displacement:	160 ml/r
Max Operating Pressure:	31.5 MPa

Standard Configuration

NOK (JAPAN) Seal Packings for Cylinders.

Operation System

Manual Valve Operation

General Description

Main Machine Size (L×W×H):	2100×1850×5900 mm
Press Box Size (L×W×H):	1080×740×2250 mm
Space Between Ram & Bottom:	Max. 2400 mm; Min. 500 mm
Bale Size (L×W):	1080×740 mm
Wool Tops Nos. Per Bale:	36 or 48
Production Rate (Wool Tops):	6-8 bales/hr
Strapping:	5 Steel Strips, 2-way, Manual Strapping.
Bale Discharging:	Manual Discharging
Shipping Weight:	Approx. 12.5 tons
Loading (Standard Containers):	1×40'GP

Hydraulic Oil Brand

Oil Tank Volume: 960 ltr

ISO VG	China	U.S.		Britain	France
	GB11118.1	CALTEX CO.	MOBIL	SHELL	ELF CO.
HM 46	46 #	Rando HD46	D.T.E46	Tellus 46	Elfolna 46
HM 68	68 #	Rando HD68	D.T.E68	Tellus 68	Elfolna 68

Above information are indicative not engaging. Rights reserved for change if necessary.



**Soochow Baling Machinery Ltd.
Jiangsu Huahong Technology Stock Co., Ltd.**

Factory: Zhouzhuang, Jiangyin, Jiangsu

Office: Rm 1202, SIPCTD Bldg, No. 381 Suzhou Avenue East,
Suzhou Industrial Park, Suzhou, Jiangsu 215028 China

Tel: +86 512 6255 1141 **Fax:** +86 512 6255 1142

Email: info@chinabalers.com; chinabalers@foxmail.com

Website: www.chinabalers.com; www.chinabalers.net