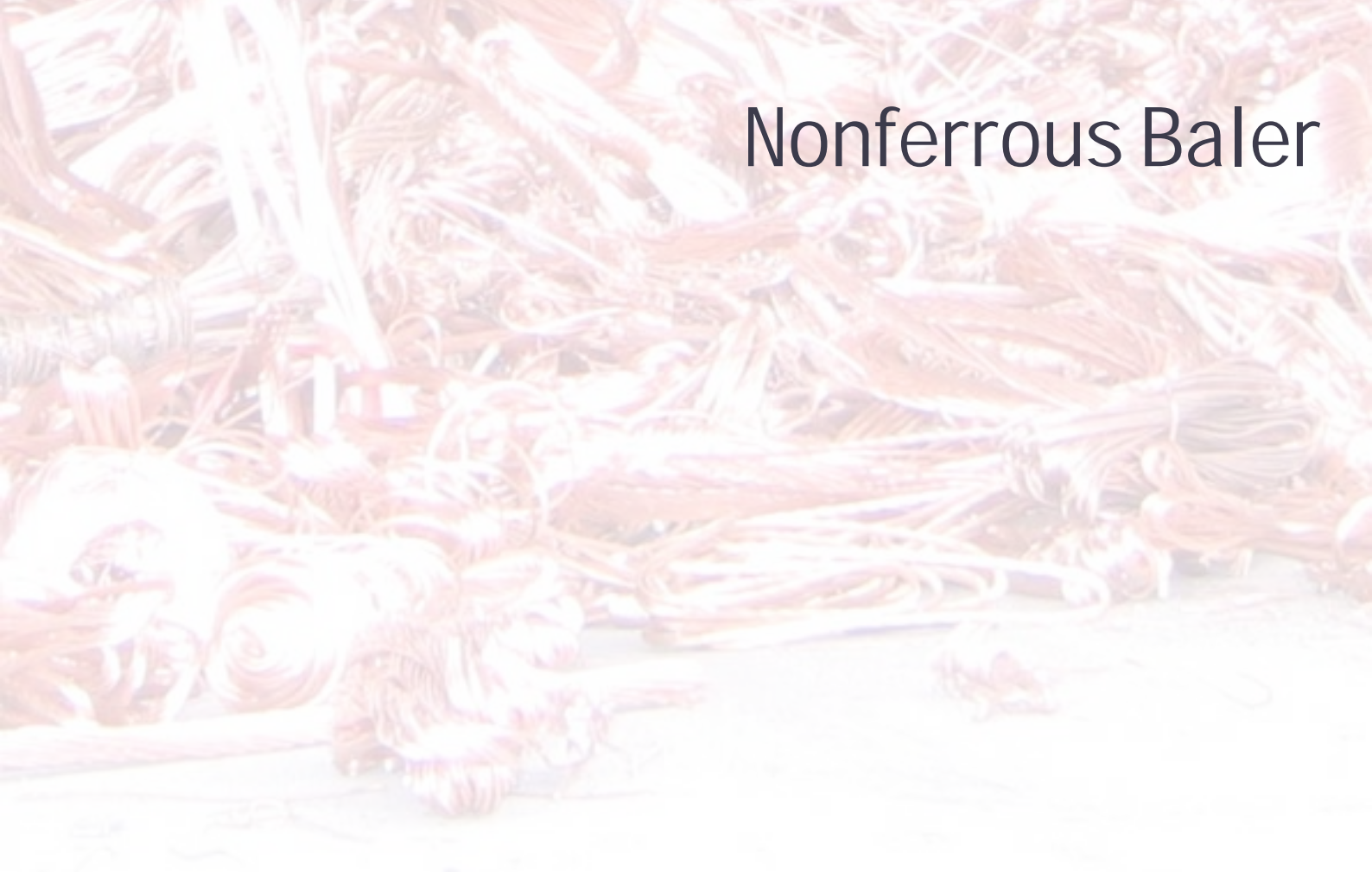


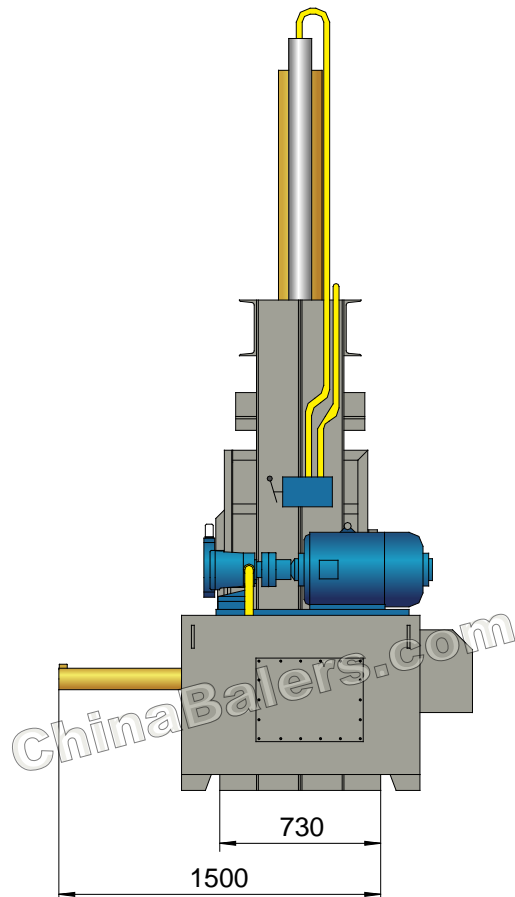
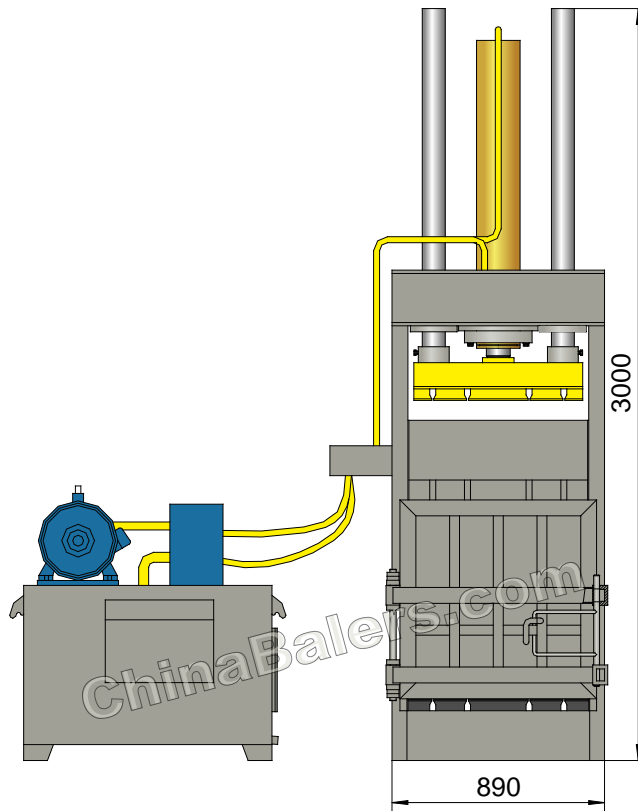
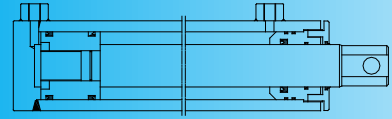
ChinaBalers



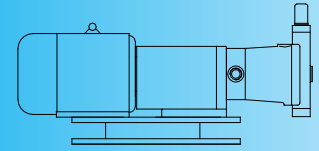
Nonferrous Baler



Y82-25YS



Y82-25YS



Vertical Metal Baler

Model: Y82-25YS

Power System (Motor)

Type:	Y180L-6
Rated Power:	15 kW
Rated Speed:	970 rpm
Power Spec:	3PH, 50 / 60Hz

System Parameters

Main Pressure Cyl. Force:	25 Ton
Ejection Cyl. Force:	6.3 Ton
Hydraulic System Pressure:	12.5 MPa

Hydraulic System (Pump)

Type:	63YCY14-1B
Rated Displacement:	63 ml/r
Max Operating Pressure:	31.5 MPa

Standard Configuration

NOK (JAPAN) Seal Packings for Cylinders.

Operation System

Manual Valve Operation

General Description

Main Machine Size (L×W×H):	1100×1500×3000 mm
Press Box Size (L×W×H):	730×620×980 mm
Space Between Ram & Bottom:	Max. 1000 mm; Min. 10 mm
Bale Size (L×W):	730×620 mm
Bale Weight (Copper Wire):	250-300 kg
Production Rate (Copper Wire):	1000-1500 kg/hr
Strapping:	Tempered Iron Wire, ϕ 2.8/3.2mm, 4 Lines, Manual Strapping.
Bale Discharging:	By Ejection Cylinder
Shipping Weight:	Approx. 1.8 tons
Loading (Standard Containers):	1/2×20'GP

Hydraulic Oil Brand

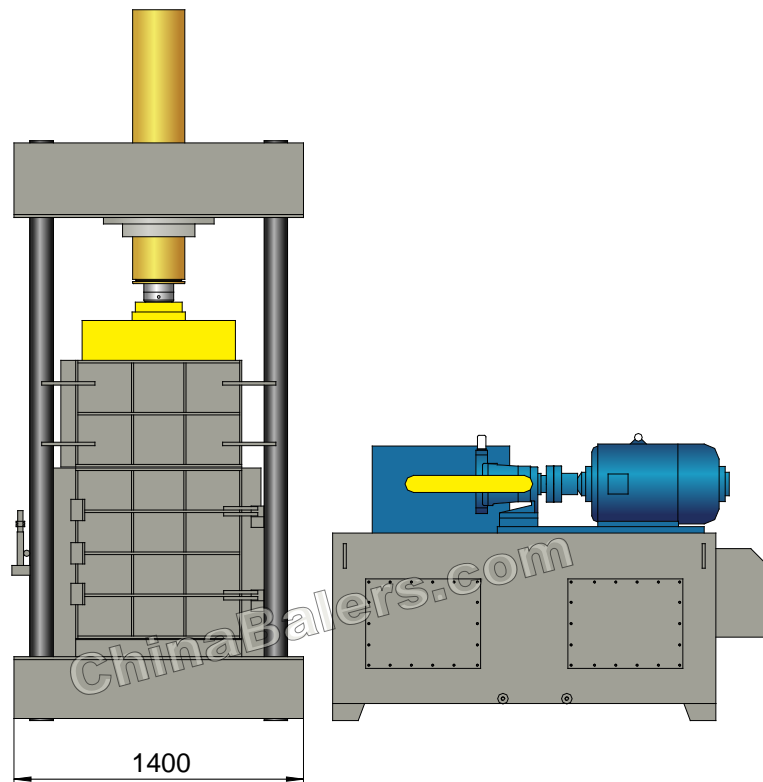
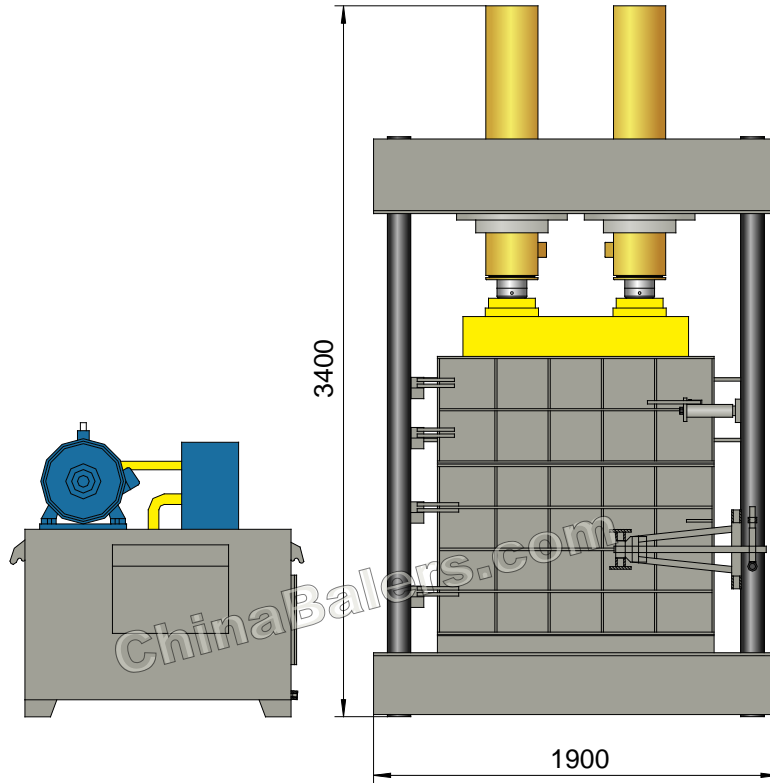
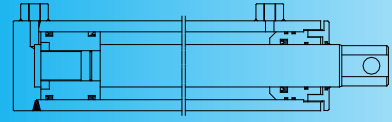
Oil Tank Volume:

320 ltr

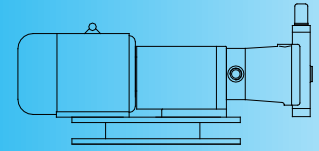
ISO VG	China	U.S.		Britain	France
	GB11118.1	CALTEX CO.	MOBIL	SHELL	ELF CO.
HM 46	46 #	Rando HD46	D.T.E46	Tellus 46	Elfolna 46
HM 68	68 #	Rando HD68	D.T.E68	Tellus 68	Elfolna 68

Above information are indicative not engaging. Rights reserved for change if necessary.

YE82-160Q



YE82-160Q



Vertical Metal Baler

Model: YE82-160Q

Power System (Motor)

Type:	Y200L2-6
Rated Power:	22 kW
Rated Speed:	970 rpm
Power Spec:	3PH, 50 / 60Hz

Hydraulic System (Pump)

Type:	160YCY14-1B
Rated Displacement:	160 ml/r
Max Operating Pressure:	31.5 MPa

System Parameters

Main Pressure Cyl. Force:	2×80 Ton
Hydraulic System Pressure:	25 MPa

Standard Configuration

NOK (JAPAN) Seal Packings for Cylinders;
Mn16 Steel Liners, Thickness 8mm;
Cooler; Magnetic Oil Filter.

Operation System

Manual Valve Operation

General Description

Main Machine Size (L×W×H):	1900×1400×3400 mm
Press Box Size (L×W×H):	1100×760×1200 mm
Space Between Ram & Bottom:	Max. 1200 mm; Min. 300 mm
Bale Size (L×W):	1100×760 mm
Bale Weight (Copper Wire / Stainless Steel):	1150-1250 / 1000-1100 kg
Production Rate (Copper Wire / Stainless Steel):	4000-5000 / 3500-4500 kg/hr
Strapping:	5 Steel Strips, 2-way, Manual Strapping.
Bale Discharging:	Manual Discharging
Shipping Weight:	Approx. 7 tons
Loading (Standard Containers):	1×20'GP

Hydraulic Oil Brand

Oil Tank Volume: 960 ltr

ISO VG	China	U.S.		Britain	France
	GB11118.1	CALTEX CO.	MOBIL	SHELL	ELF CO.
HM 46	46 #	Rando HD46	D.T.E46	Tellus 46	Elfolna 46
HM 68	68 #	Rando HD68	D.T.E68	Tellus 68	Elfolna 68

Above information are indicative not engaging. Rights reserved for change if necessary.



**Soochow Baling Machinery Ltd.
Jiangsu Huahong Technology Stock Co., Ltd.**

Factory: Zhouzhuang, Jiangyin, Jiangsu

Office: Rm 1202, SIPCTD Bldg, No. 381 Suzhou Avenue East,
Suzhou Industrial Park, Suzhou, Jiangsu 215028 China

Tel: +86 512 6255 1141 **Fax:** +86 512 6255 1142

Email: info@chinabalers.com; chinabalers@foxmail.com

Website: www.chinabalers.com; www.chinabalers.net